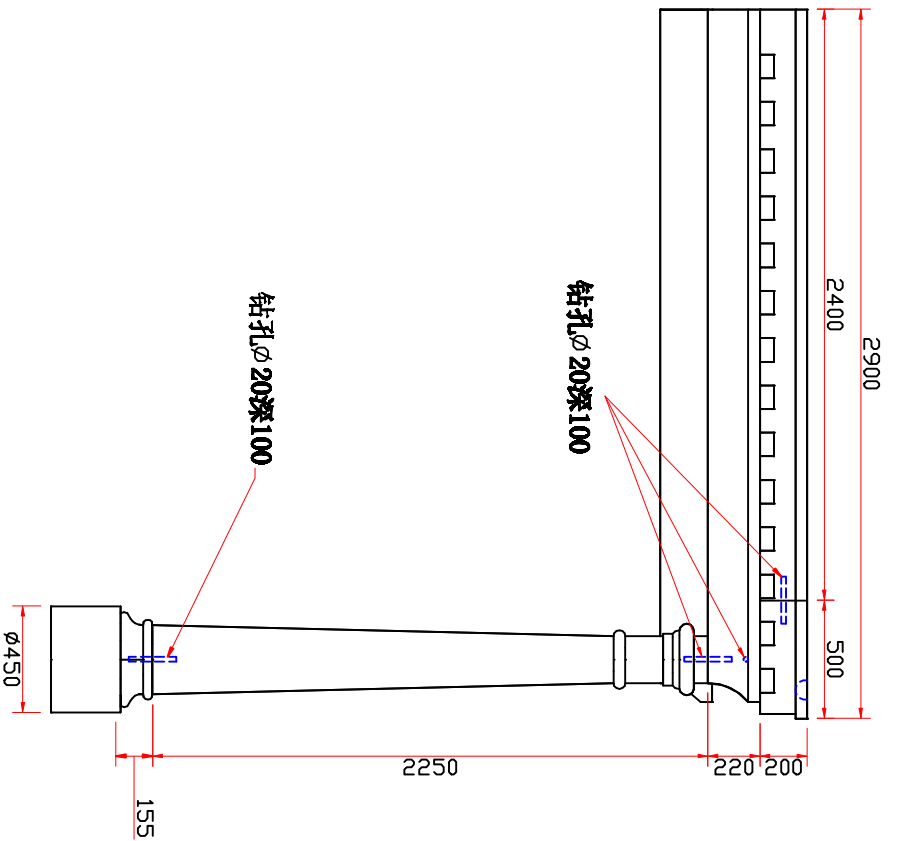
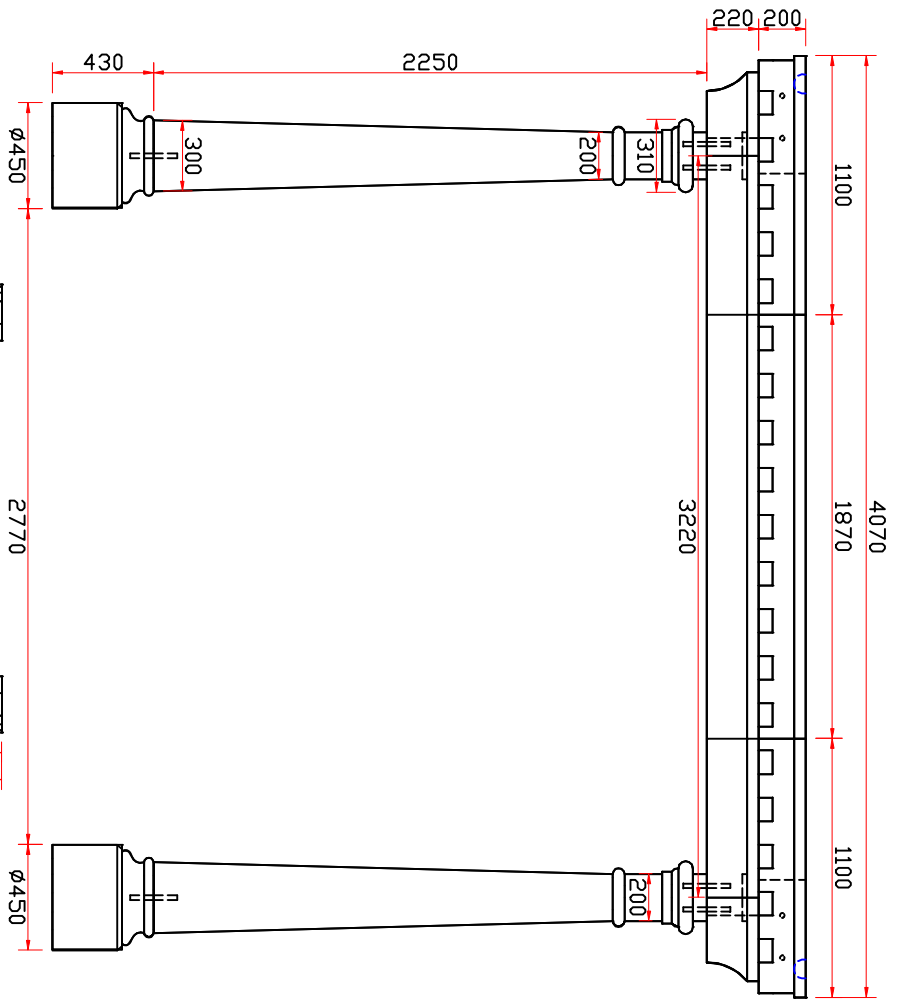
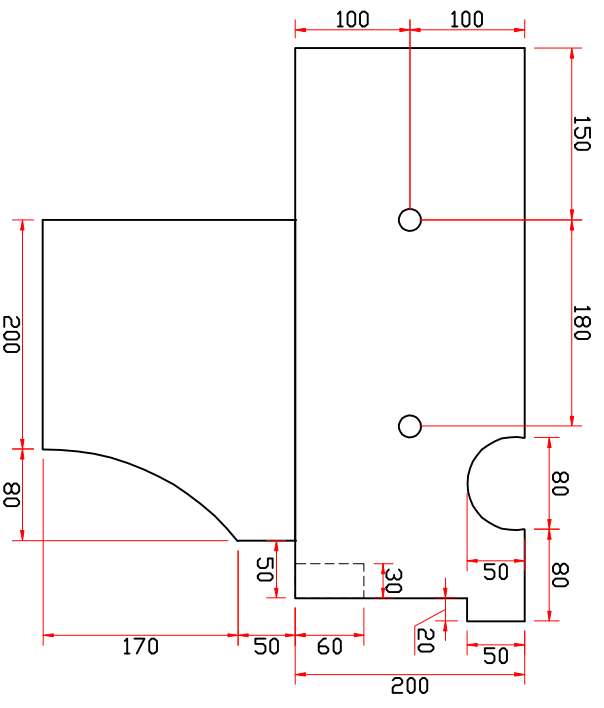
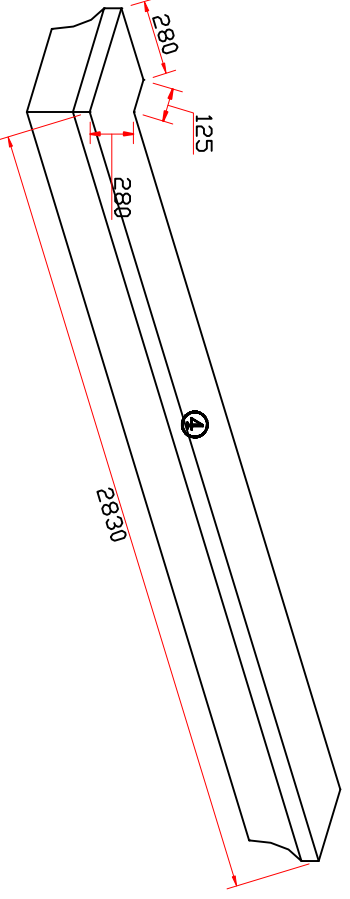
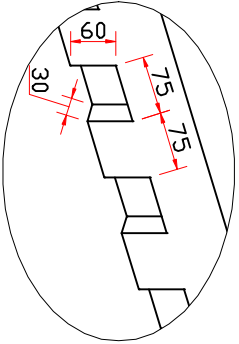
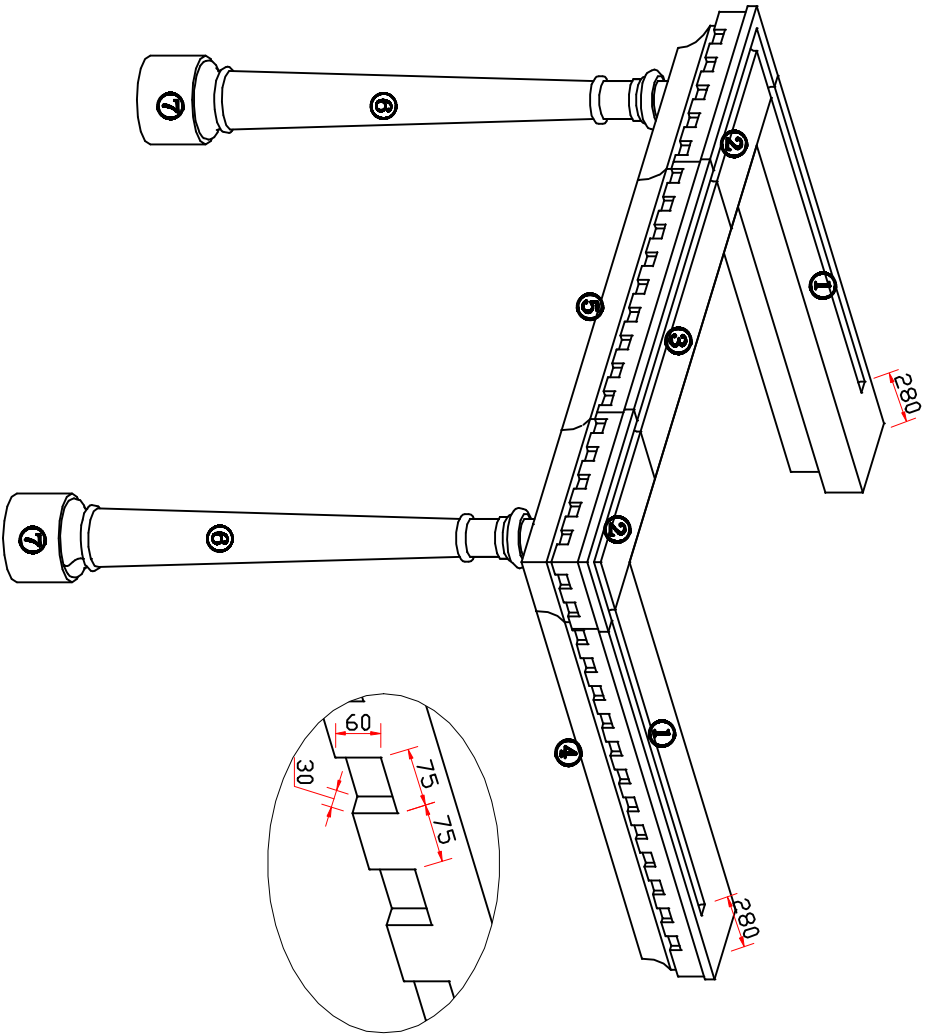


RevNo Revision note

Date

Signature Checked





Portico (A)		
SIZE (mm)	QTY	
① 2900X500X200	2	
② 1100X500X200	2	
③ 1870X500X200	1	
④ 2830X405X220	2	
⑤ 3120X280X220	1	
⑥ Φ3.10XH2250	2	
⑦ Φ450X430	2	